

# M325/M325D 12-Hour Switch

## DATA SHEET

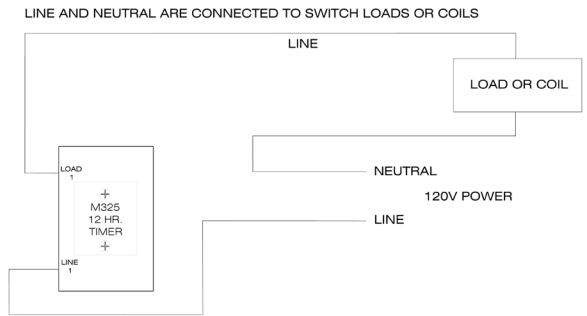
### Features:

- Operation of system from 0 to 12 hours
- Has “Hold” position
- Requires no electrical power or batteries
- Time saving “up front” terminal connection

### Specifications:

- 2.5 lbs
- -40°F to 155°F

### Design & Wiring:

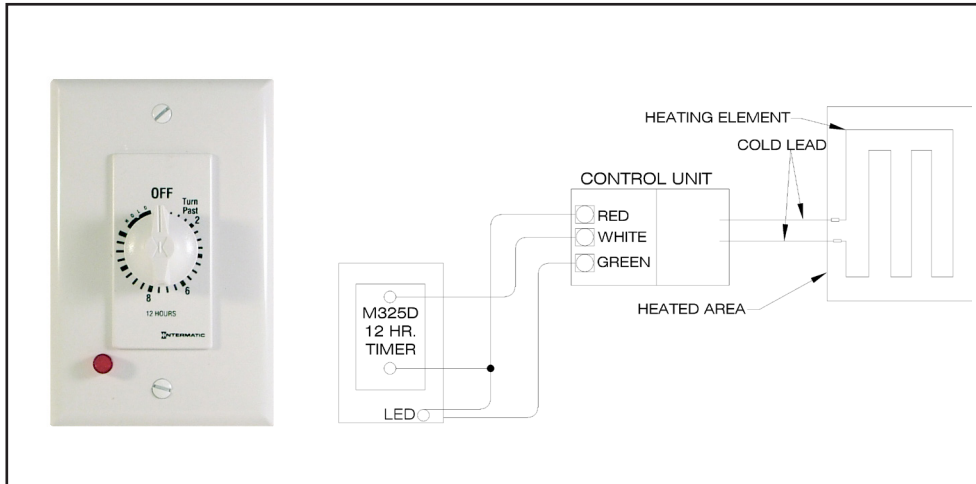


### Applications:

- Low Voltage - SLC500, CBX Series, Radiant 8 Control Units
- Line Voltage - M330 Series, M530 Series
- Direct Switch - 120V/20AMP or 208-277V/10AMP
- Activator Switch- M432, M329 & M346
- Floor Warming
- Snow Melting
- Roof Deicing

## M325D

### Design & Wiring:



### Features:

- Operation of system from 0 to 12 hours
- LED status indicator light (Low Voltage Systems only)
- Has “Hold” position
- Requires electrical power for LED light only.
- Time saving “up front” terminal connection

### Specifications:

- 2.5 lbs
- -40°F to 155°F

### Applications:

- Low Voltage - SLC500, CBX Series, Radiant 8 Control Units
- Direct Switch - 120V/20AMP or 208-277V/10AMP
- Activator Switch- M432, M329 & M346
- Floor Warming
- Snow Melting
- Roof Deicing



Note: Refer to the NEC or CEC for specific requirements.



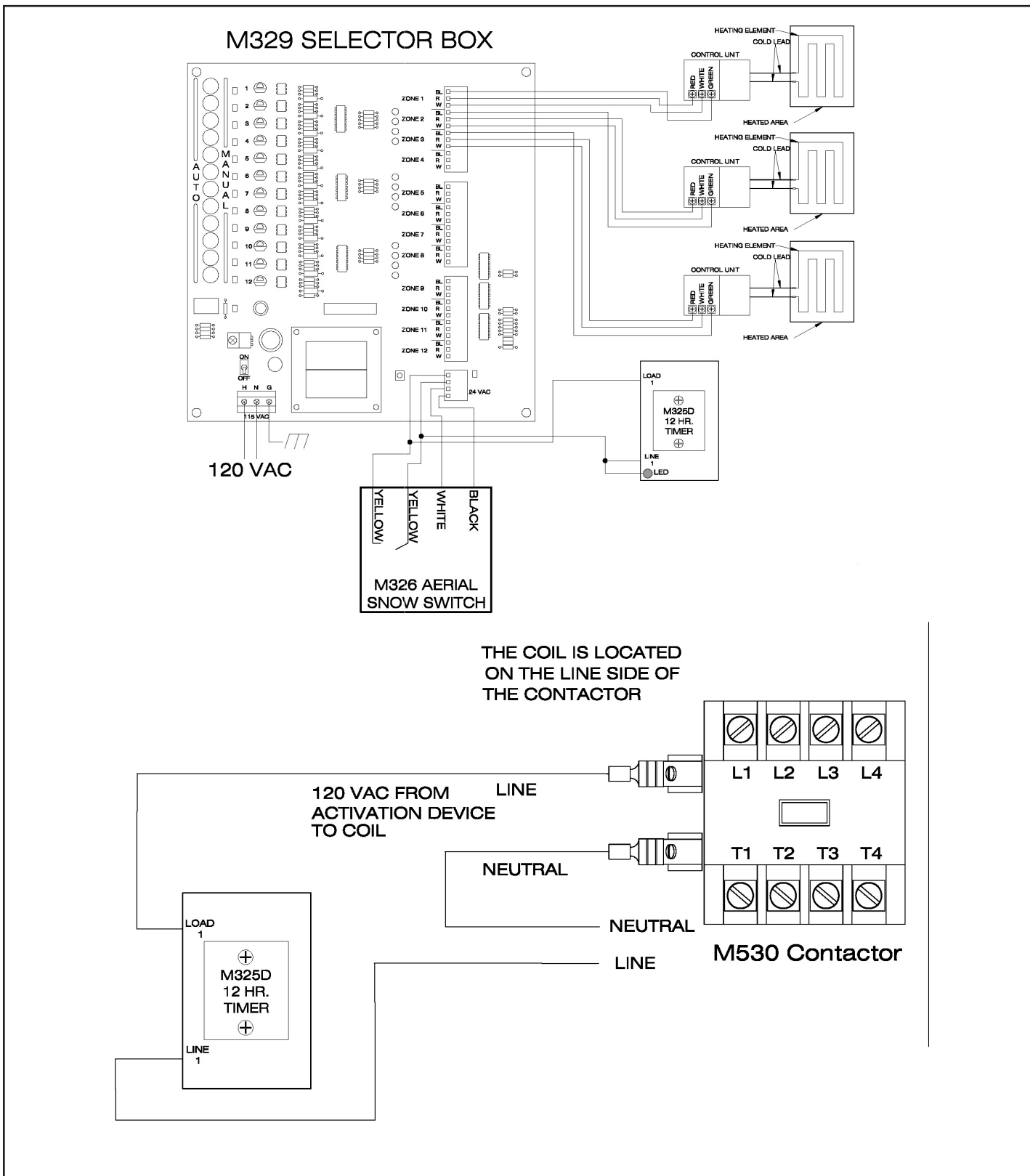
4137 South 500 West  
Murray, Utah 84123

FOR MORE INFORMATION  
Company: Heatizon Systems  
Toll Free: 888-239-1232  
Email: info@heatizon.com  
Visit us at: www.heatizon.com

# M325/M325D 12-Hour Switch

## DATA SHEET

### Wiring:



Note: Refer to the NEC or CEC for specific requirements.



4137 South 500 West  
Murray, Utah 84123

FOR MORE INFORMATION  
Company: Heatizon Systems  
Toll Free: 888-239-1232  
Email: info@heatizon.com  
Visit us at: www.heatizon.com