

# M326ARS Ice & Snow Sensor Controller

# DATA SHEET

## Features:

- Activates System when moisture is detected and temperature is below set point
- 34° - 44° F : Field Selectable
- Automatic Activation means Lower De-icing Costs
- Reliable Rain and Snow Detection
- Replaceable Remote Precipitation Sensor
- Easy Installation, Full Access to Electronics
- Adjustable Temperature Trigger
- Adjustable Delay Off Cycle, Selectable 30-90 Minutes or 2-6 Hours
- Adjustable Precipitation Sensitivity
- Selectable Low Temperature Cutoff
- Smart "Manual On" Operates for One Delay Off Cycle
- Bright Power/Activation LED Indicator

## Applications:

- For Use with SLC500, CBX Series, Radiant 8, M329, M346, M330 Series, M530 Series
- Direct Load Switch up to 30A/277V
- Snow Melting
- Roof Deicing
- Gutter De-icing/Melting

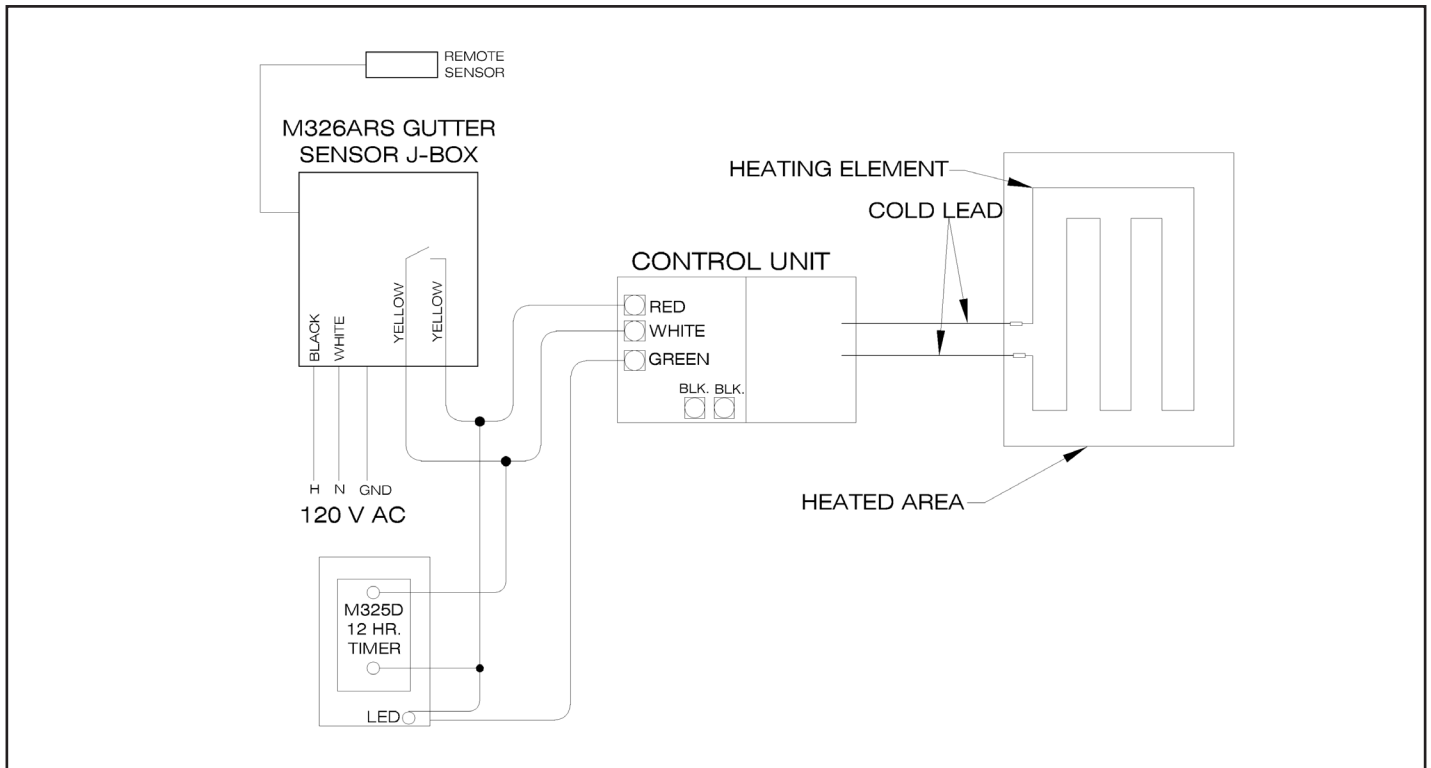
## Design:



## Specifications:

- Requires 100-277 VAC 50/60hz
- Full 30A @ 277VAC Control
- Dimensions: 4¾"(120) x 7"(178) x 2¾"(70)
- Weight: 2 pounds
- Front cover electronics access

## Wiring:



Note: Refer to the NEC or CEC for specific requirements.



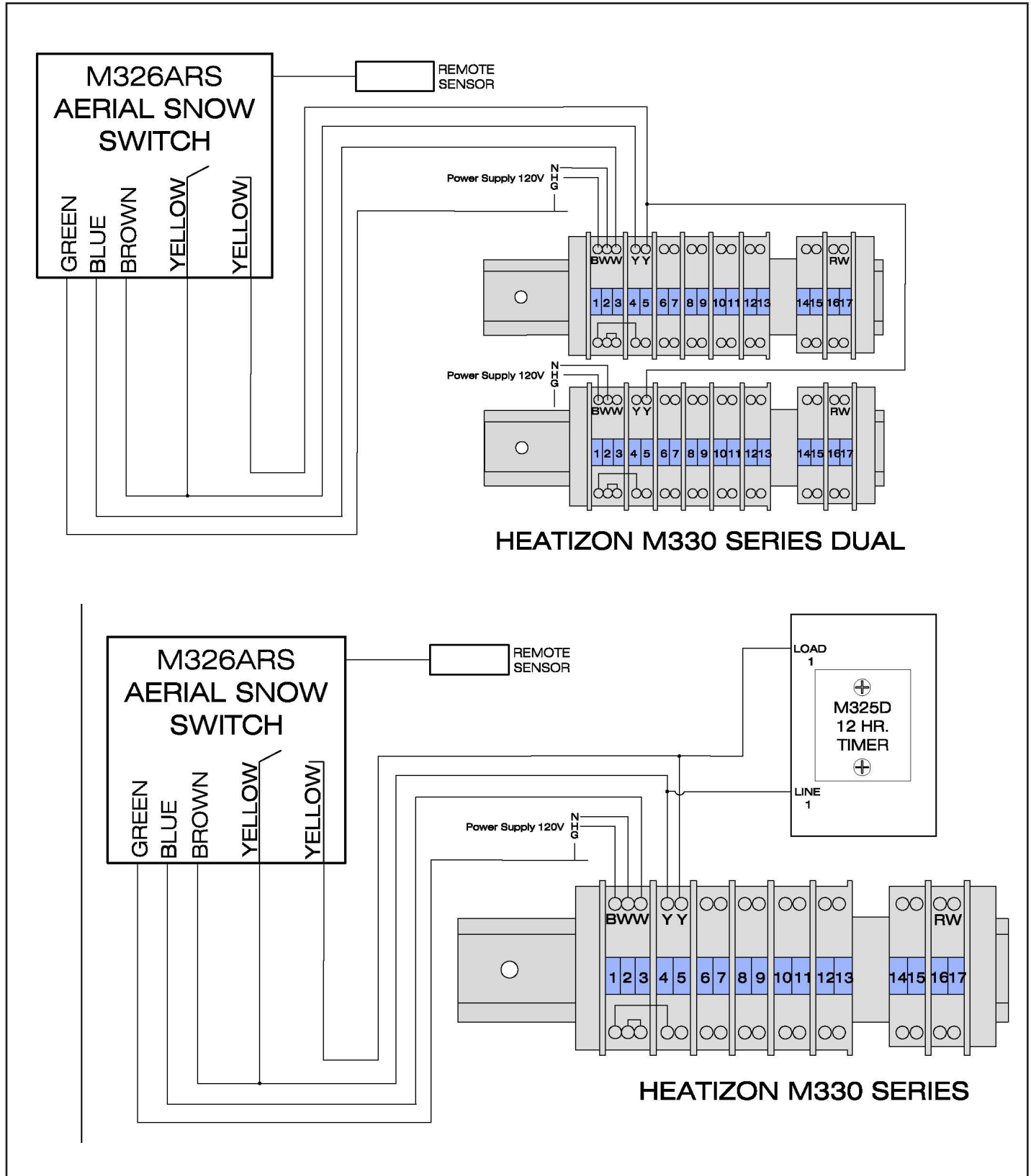
4137 South 500 West  
Murray, Utah 84123

FOR MORE INFORMATION  
Company: Heatizon Systems  
Toll Free: 888-239-1232  
Email: info@heatizon.com  
Visit us at: www.heatizon.com

# M326ARS Ice & Snow Sensor Controller

DATA SHEET

**Wiring:**



Note: Refer to the NEC or CEC for specific requirements.



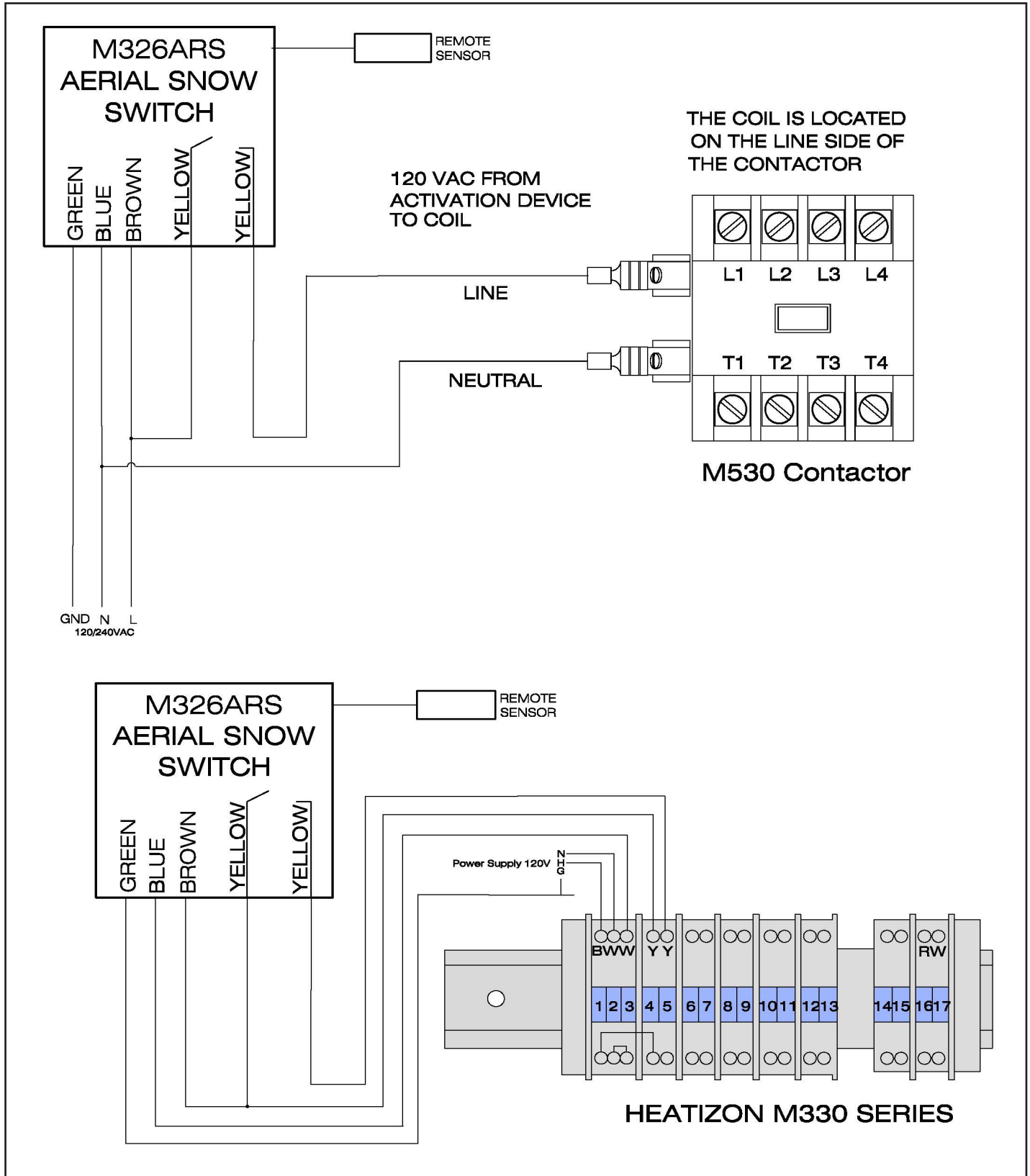
4137 South 500 West  
Murray, Utah 84123

FOR MORE INFORMATION  
Company: Heatizon Systems  
Toll Free: 888-239-1232  
Email: info@heatizon.com  
Visit us at: www.heatizon.com

# M326ARS Ice & Snow Sensor Controller

DATA SHEET

**Wiring:**



Note: Refer to the NEC or CEC for specific requirements.



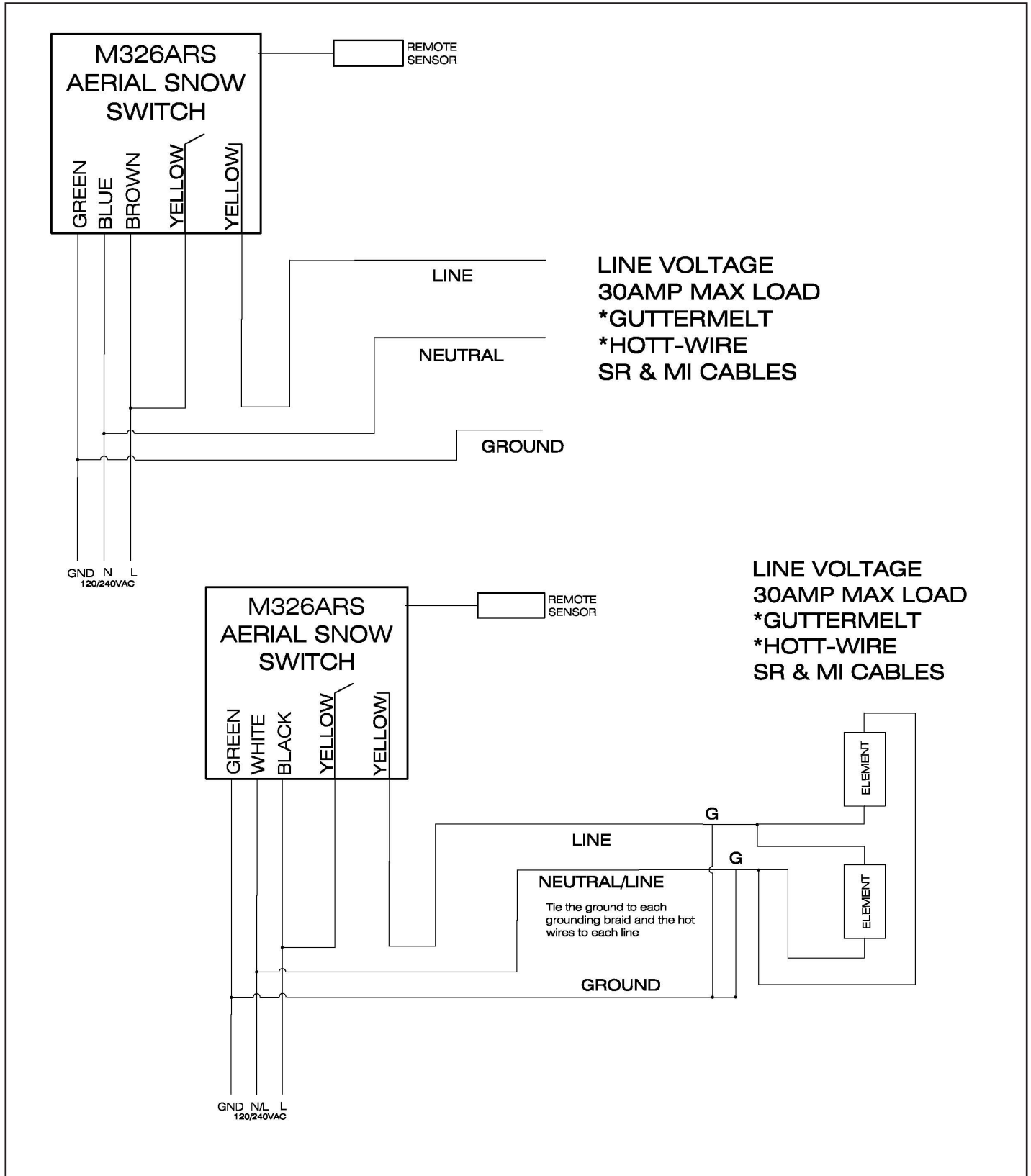
4137 South 500 West  
Murray, Utah 84123

FOR MORE INFORMATION  
 Company: Heatizon Systems  
 Toll Free: 888-239-1232  
 Email: info@heatizon.com  
 Visit us at: www.heatizon.com

# M326ARS Ice & Snow Sensor Controller

DATA SHEET

## Wiring:

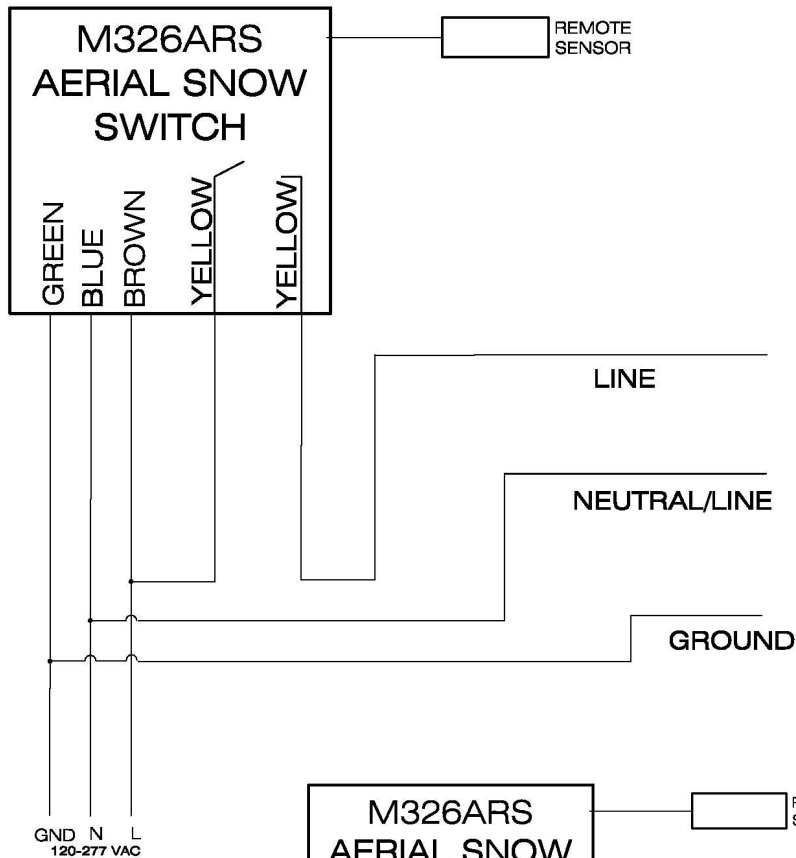


Note: Refer to the NEC or CEC for specific requirements.

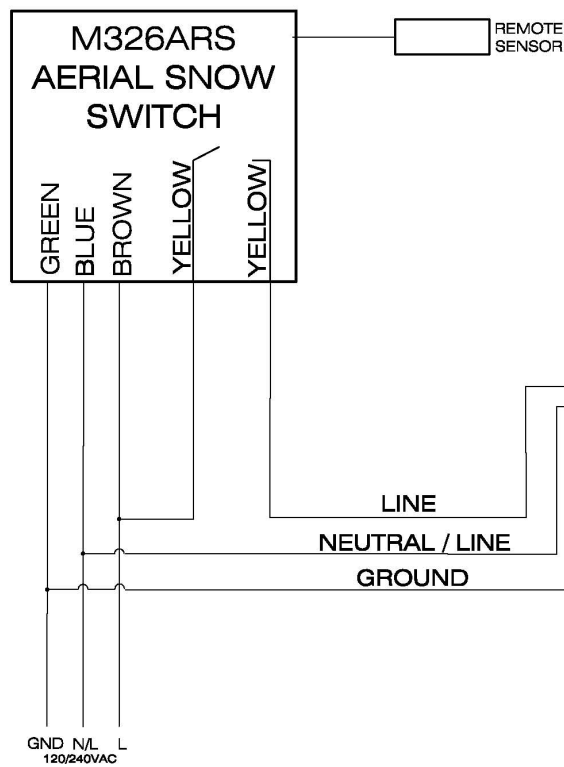


4137 South 500 West  
Murray, Utah 84123

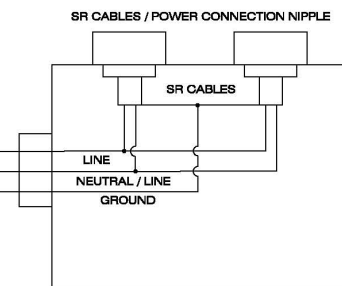
**FOR MORE INFORMATION**  
Company: Heatizon Systems  
Toll Free: 888-239-1232  
Email: info@heatizon.com  
Visit us at: www.heatizon.com



**LINE VOLTAGE**  
**30AMP MAX LOAD**  
**\*GUTTERMELT**  
**\*HOTT-WIRE**  
**SR & MI CABLES**



**LINE VOLTAGE**  
**30AMP MAX LOAD**  
**\*GUTTERMELT**  
**\*HOTT-WIRE**  
**SR & MI CABLES**



Note: Refer to the NEC or CEC for specific requirements.



4137 South 500 West  
 Murray, Utah 84123

**FOR MORE INFORMATION**  
 Company: Heatizon Systems  
 Toll Free: 888-239-1232  
 Email: info@heatizon.com  
 Visit us at: www.heatizon.com